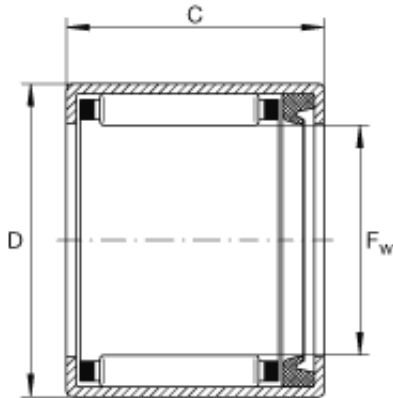




NTN-SNR RULMENTI S.R.L.



INA SCE2414-P needle roller bearings

Bearing No. SCE2414-P

SCE2414-P Bearing 2D drawings and 3D CAD models

Size	38.1x47.625x22.225 mm
Bore Diameter	38,1 mm
Outer Diameter	47,625 mm
Width	22,225 mm
F_w	1 1/2 inch
F_w	38,1 mm
D	1,875 inch
D	47,625 mm
C	0,875 inch
C	22,225 mm
m	0,155 lbs / Weight
m	70 g / Weight
C_r	6860 lbf / Dynamic load rating (radial)
C_r	30500 N / Dynamic load rating (radial)
C_{0r}	10900 lbf / Static load rating (radial)
C_{0r}	48500 N / Static load rating (radial)
n_G	6700 1/min / Limiting speed
n_B	4900 1/min / Reference speed
Category	Needle Non Thrust Roller Bearings
Inventory	0.0
Manufacturer Name	SCHAEFFLER GROUP
Minimum Buy Quantity	N/A



NTN-SNR RULMENTI S.R.L.

Weight / Kilogram	0.084
EAN	4047643194808
Product Group	B04144
Rolling Element	Needle Roller Bearing
Component	Roller Assembly with Outer Ring - No Inner Ring
Enclosure	1 Seal
Self Aligning	No
Retainer	Yes
Number of Rows of Rollers	Single Row
Separable	No
Closed End	No
Inch - Metric	Inch
Relubricatable	No
Thrust Bearing	No
Long Description	1-1/2" Bore; 1-7/8" Outside Diameter; 7/8" Width; Needle Roller Bearing; Roller Assembly with Outer Ring - No Inner Ring; 1 Seal Enclosure; No Self Aligning; Yes Retainer; Single Row of
Other Features	2 Rib Outer Ring Drawn Cup Bearing Steel Cage
Category	Needle Non Thrust Roller Bearing
UNSPSC	31171512
Harmonized Tariff Code	8482.40.00.00
Noun	Bearing
Keyword String	Needle
Manufacturer URL	http://www.ina.com
Manufacturer Item Number	SCE2414P
Weight / LBS	0.155
Bore	1.5 Inch 38.1 Millimeter
Outside Diameter	1.875 Inch 47.625



NTN-SNR RULMENTI S.R.L.

	Millimeter
Width	0.875 Inch 22.225 Millimeter