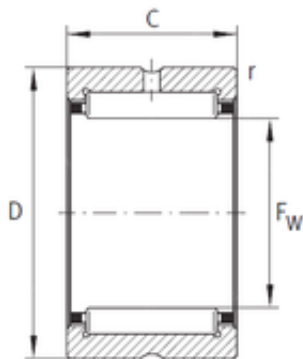




NTN-SNR RULMENTI S.R.L.

INA NK60/35-XL needle roller bearings



Bearing No. NK60/35-XL

Size	60x72x35 mm
Bore Diameter	60 mm
Outer Diameter	72 mm
Width	35 mm
F _w	60 mm
D	72 mm
C	35 mm
r min.	0,6 mm
Weight	0,258 Kg
Basic dynamic load rating (C)	63 kN
Basic static load rating (C ₀)	130 kN
Fatigue load limit (P _u)	23,5
Reference speed	5 500 r/min

NK60/35-XL Bearing 2D drawings and 3D CAD models