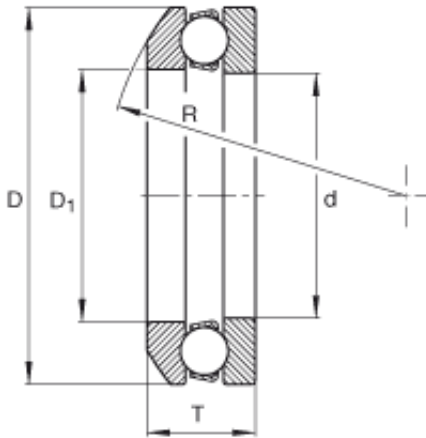




NTN-SNR RULMENTI S.R.L.

INA 4130 thrust ball bearings



Bearing No. 4130

Size	150x220x60 mm
Bore Diameter	150 mm
Outer Diameter	220 mm
Width	60 mm
d	5,906 inch
d	150 mm
D	8,661 inch
D	220 mm
T	2,362 inch
T	60 mm
D ₁	6,063 inch
R	185 mm
m	16,5 lbs / Weight
m	7,483 kg / Weight
C _a	63000 lbf / Dynamic load rating (axial)
C _a	280000 N / Dynamic load rating (axial)
C _{0a}	180000 lbf / Static load rating (axial)
C _{0a}	800000 N / Static load rating (axial)

4130 Bearing 2D drawings and 3D CAD models