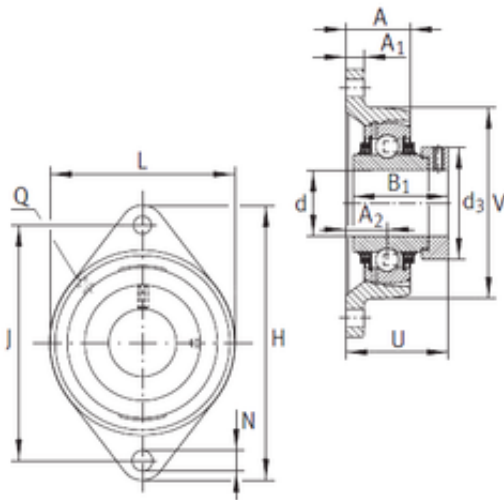




NTN-SNR RULMENTI S.R.L.

INA TCJT25-N bearing units



TCJT25-N Bearing 2D drawings and 3D CAD models

Bearing No. TCJT25-N

Bore Diameter	25 mm
d	25 mm
V	70 mm
U	46 mm
Thread (Q)	Rp1/8
d3	37,5 mm
A	26,5 mm
A1	11 mm
B1	44,5 mm
H	124 mm
J	99 mm
L	70 mm
N	11,5 mm
A2	19 mm
Weight	0,64 Kg
Basic dynamic load rating (C)	14 kN
Category	Flange Block Bearings
Inventory	0.0
Manufacturer Name	SCHAEFFLER GROUP
Minimum Buy Quantity	N/A
Weight / Kilogram	0.7
EAN	4012802799071
Product Group	M06110
Number of Mounting Holes	2
Mounting Method	Eccentric Collar
Housing Style	2 Bolt Flange Block



NTN-SNR RULMENTI S.R.L.

Rolling Element	Ball Bearing
Housing Material	Cast Iron
Expansion / Non-expansion	Non-expansion
Mounting Bolts	11.5 Millimeter
Relubricatable	Yes
Insert Part Number	GE25KPPB3
Seals	Double Triply
Housing Configuration	1 Piece Solid
Pilot Configuration	No Pilot
Inch - Metric	Metric
Long Description	2 Bolt Flange Block; 25MM Bore; 99MM Bolt Circle; 99MM Bolt Spacing; 1 Piece Solid; Eccentric Collar Mount; Cast Iron; Ball Bearing; 44.4MM Length Thru Bore; Relubricatable; Double Triply Seal
Other Features	Single Row Radial Extended Inner Race Metric With Set Screw
Category	Flange Block
UNSPSC	31171501
Harmonized Tariff Code	8483.20.40.40
Noun	Bearing
Keyword String	Flanged
Manufacturer URL	http://www.ina.com
Manufacturer Item Number	TCJT25
Weight / LBS	1.544
Bolt Spacing	3.898 Inch 99 Millimeter
Nominal Bolt Circle Diameter Round	3.9 Inch 99 Millimeter
Bore	0.984 Inch 25 Millimeter
Cartridge Pilot Diameter	0 Inch 0 Millimeter
Length Thru Bore	1.748 Inch 44.4 Millimeter



NTN-SNR RULMENTI S.R.L.